

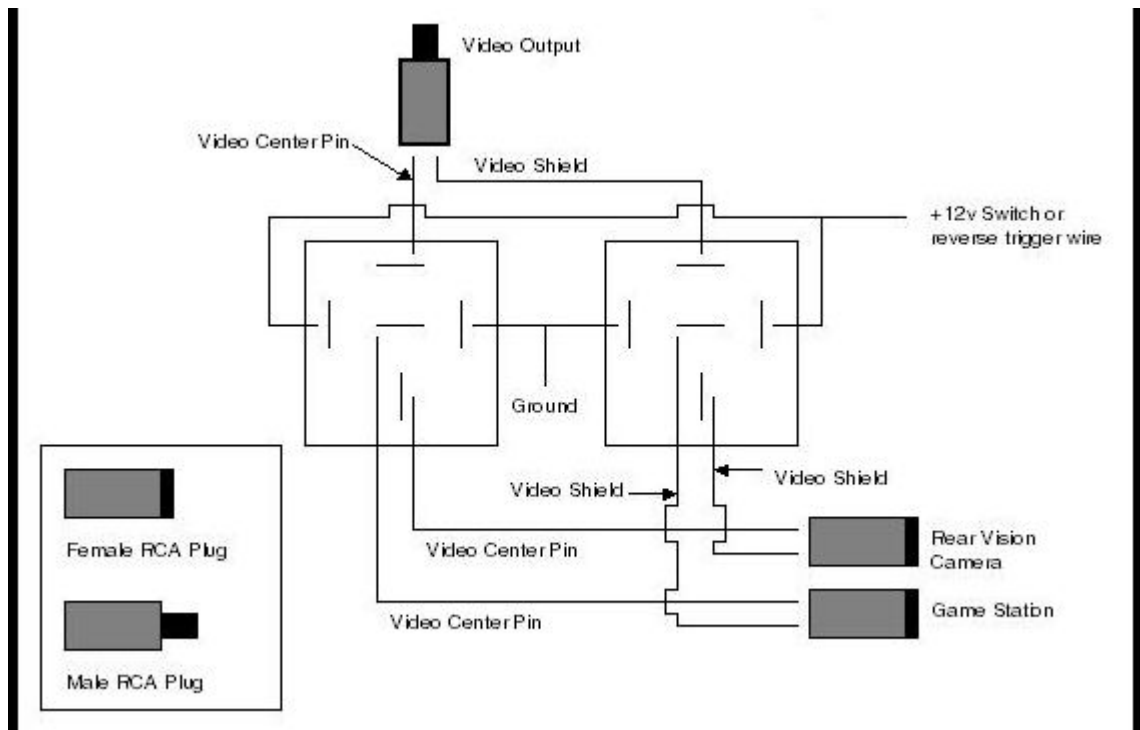
# Making a Video Switcher Using Relays

The first is for making a video switcher using two SPDT relays. The second is for how to make a video switcher using a DPDT relay.

## Tip 1

When two SPDT relays are used in conjunction with a toggle switch or a reverse trigger wire, they will allow two different video sources to be viewed from a monitor with a single output.

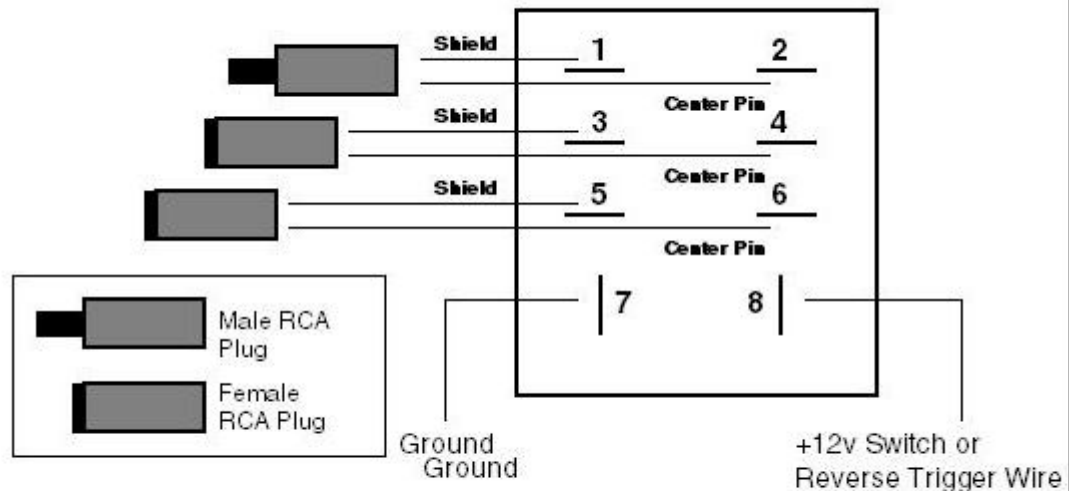
**Example:** The illustration uses a game station and a rear-vision camera. When there is no +12V applied to the relays, the video image from the game station will be displayed on the monitor. When +12V is applied to the relays, it will close the contacts and switch the video source to the rear-vision camera. Once the 12V+ is removed, it will revert back to the game station.



## Tip 2

When a DPDT relay is used in conjunction with a toggle switch or reverse trigger wire, it will allow two different video sources to be viewed from a monitor with a single video input.

**Example:** This illustration also uses a game station and a rear-vision camera. When there is no +12V is applied to the relay, the video game image from the game station will be displayed on the monitor. When there is +12V applied to the relay, it will close the contacts and switch the video source to the rear-vision camera. Once the 12V+ is removed, it will switch back to the game station.



**Relay:** The relay is available from Radio Shack.  
12VDC/3A DPDT Plug-In Relay and Socket  
Model: 275-206